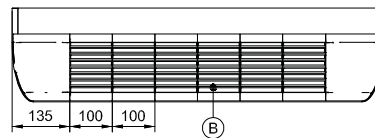
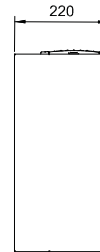
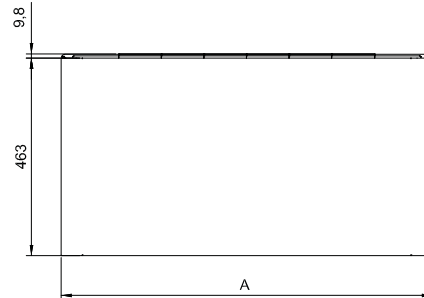
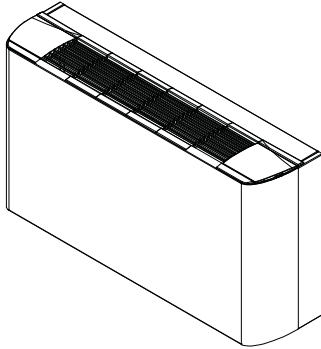


AC floor/ceiling-mounted fan coil units model FCT dimensional drawings

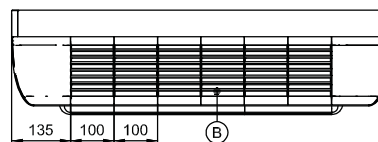
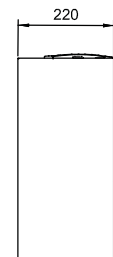
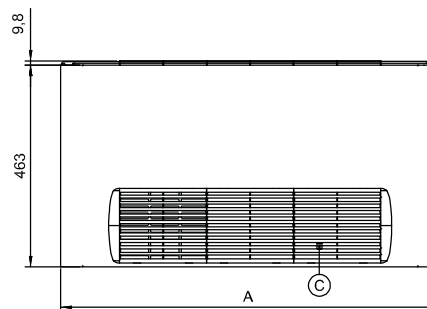
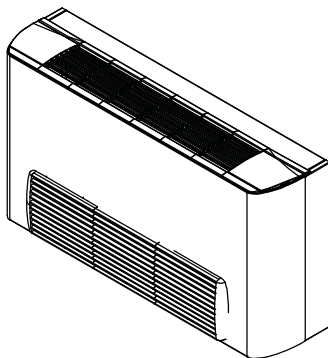


Model FCT-CV



MODEL FCT-CV	01	02	03	04	05	06	07	08	09
A	670	670	870	870	1070	1070	1270	1270	1470
B = No. of grids	4	4	6	6	8	8	10	10	12

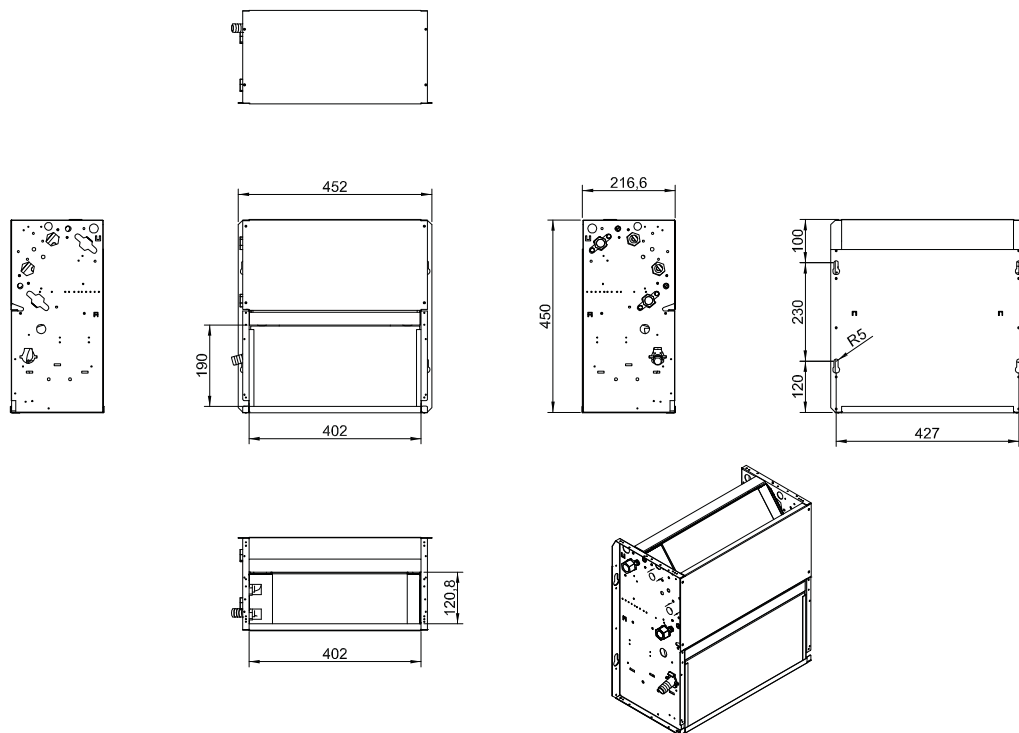
Models FCT-CA / FCT-CH



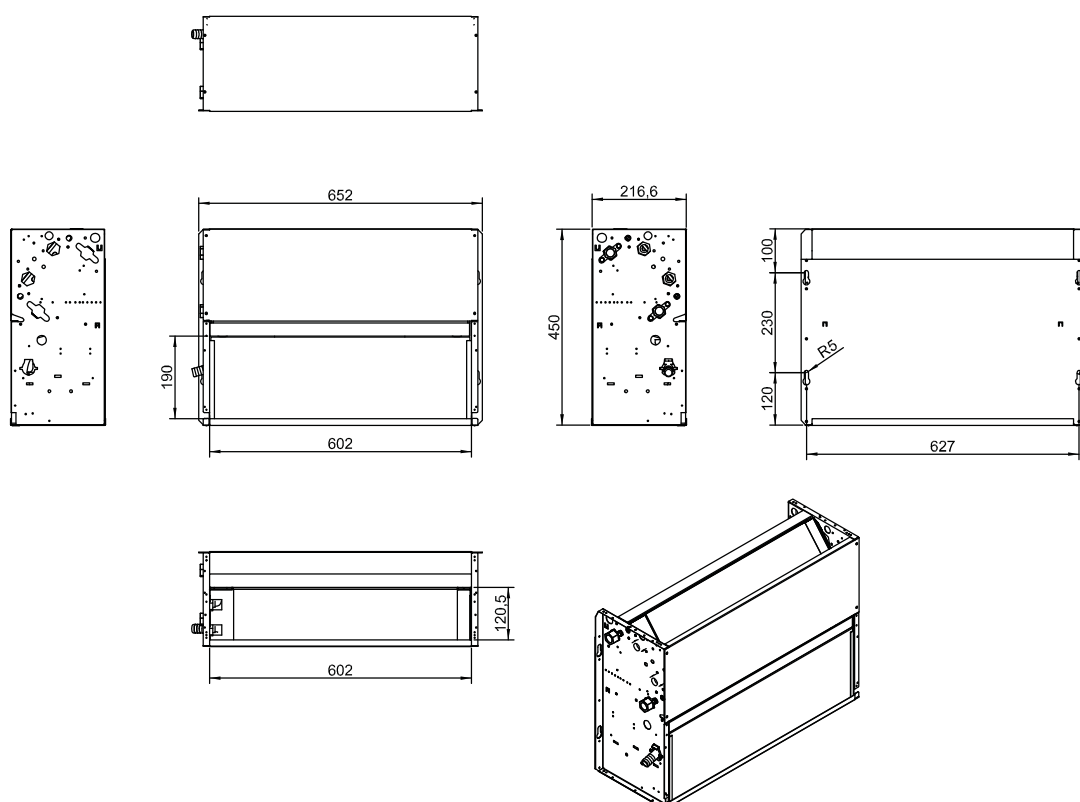
MODELS FCT-CA / FCT-CH	01	02	03	04	05	06	07	08	09
A	670	670	870	870	1070	1070	1270	1270	1470
B = No. of grids	4	4	6	6	8	8	10	10	12
C = No. of grids	2	2	3	3	4	4	5	5	6

AC floor/ceiling-mounted fan coil units model FCT dimensional drawings

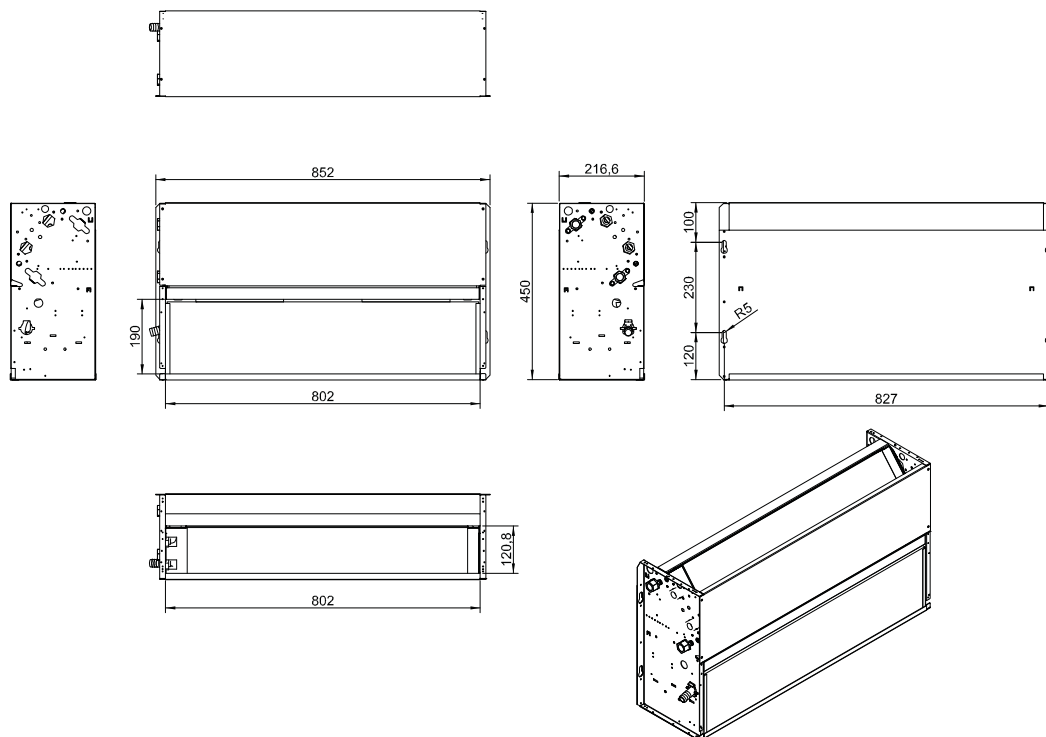
Models FCT-NV 01 and FCT-NV 02



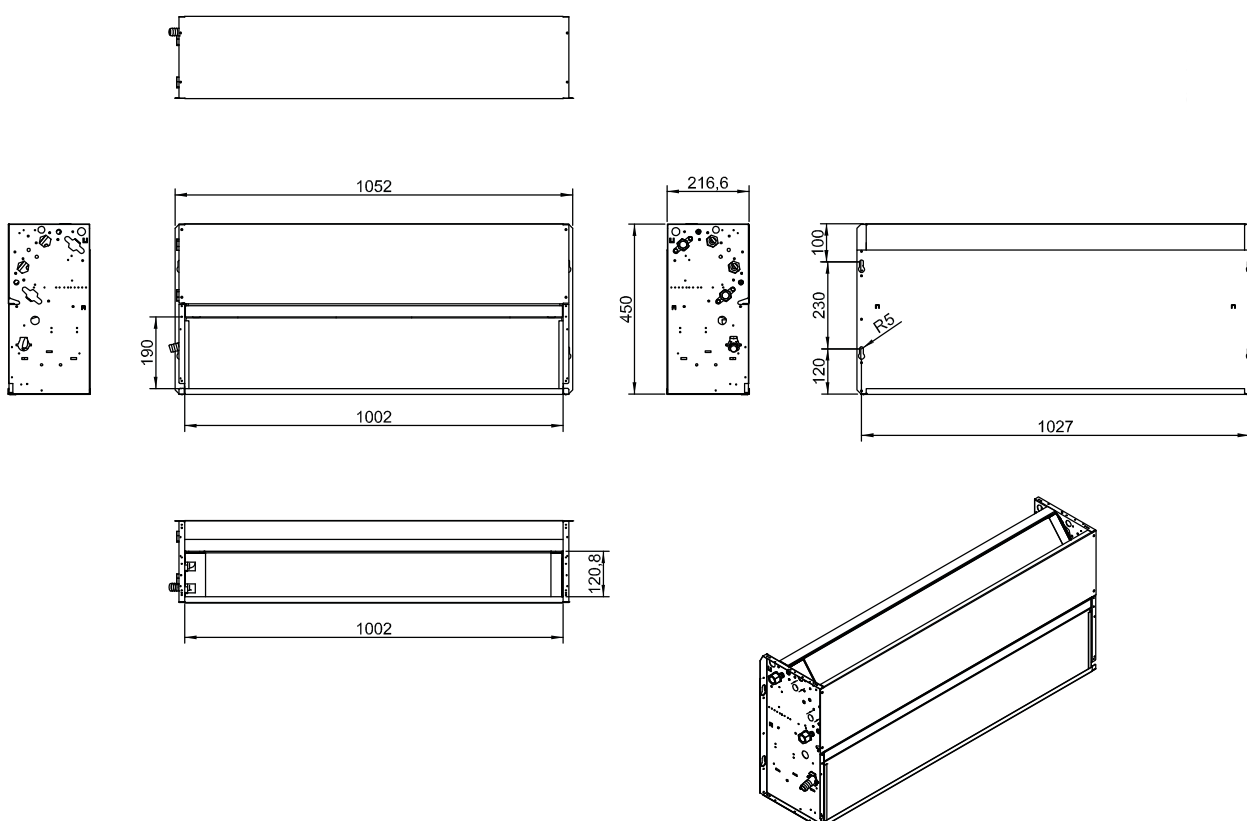
Models FCT-NV 03 and FCT-NV 04



Models FCT-NV 05 and FCT-NV 06

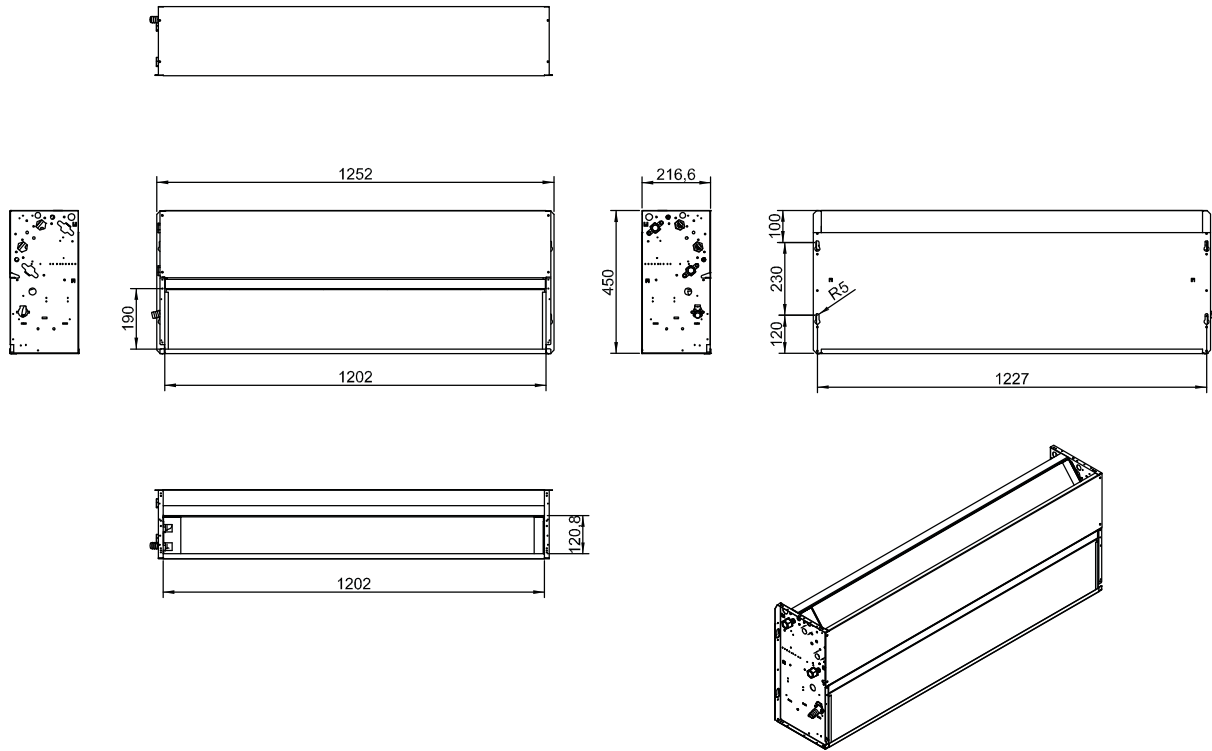


Models FCT-NV 07 and FCT-NV 08

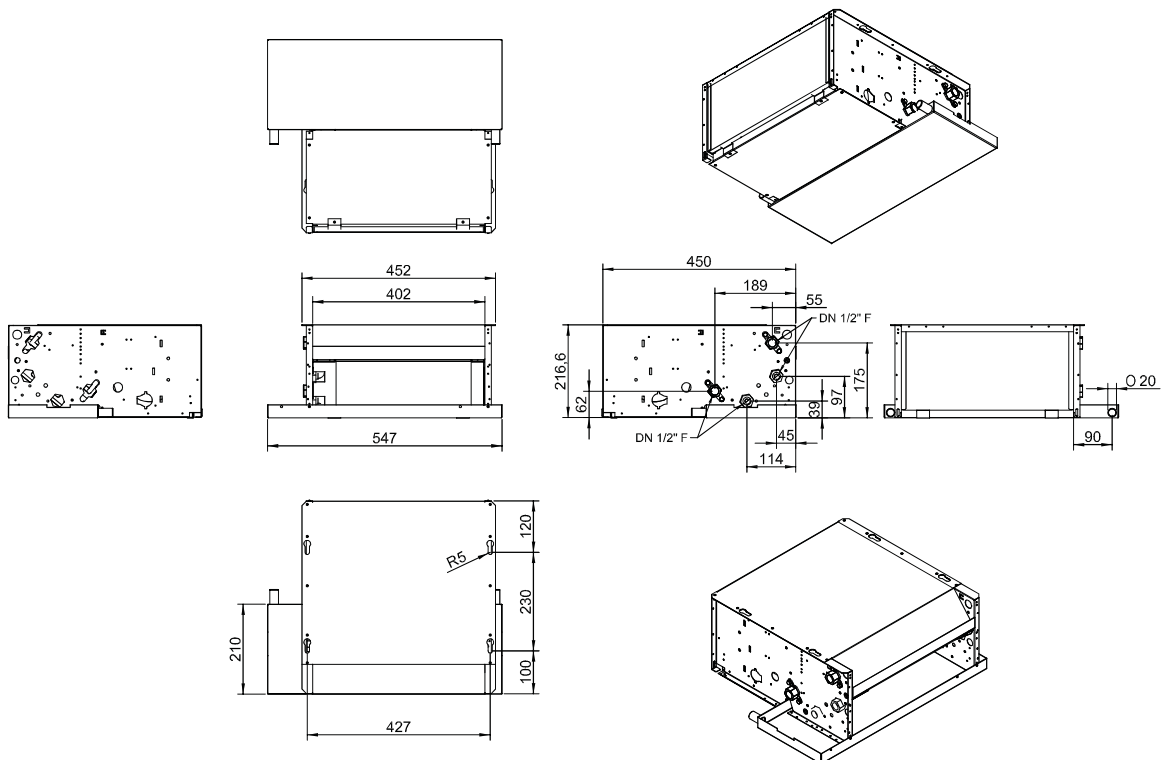


AC floor/ceiling-mounted fan coil units model FCT dimensional drawings

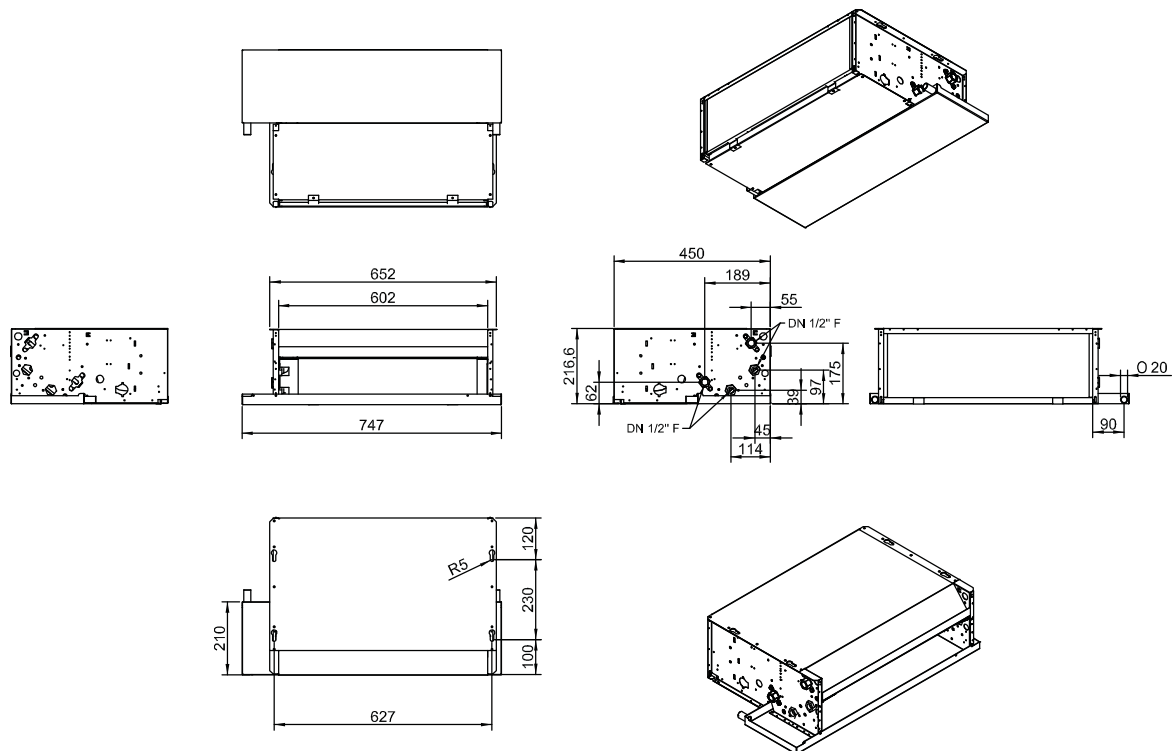
Model FCT-NV 09



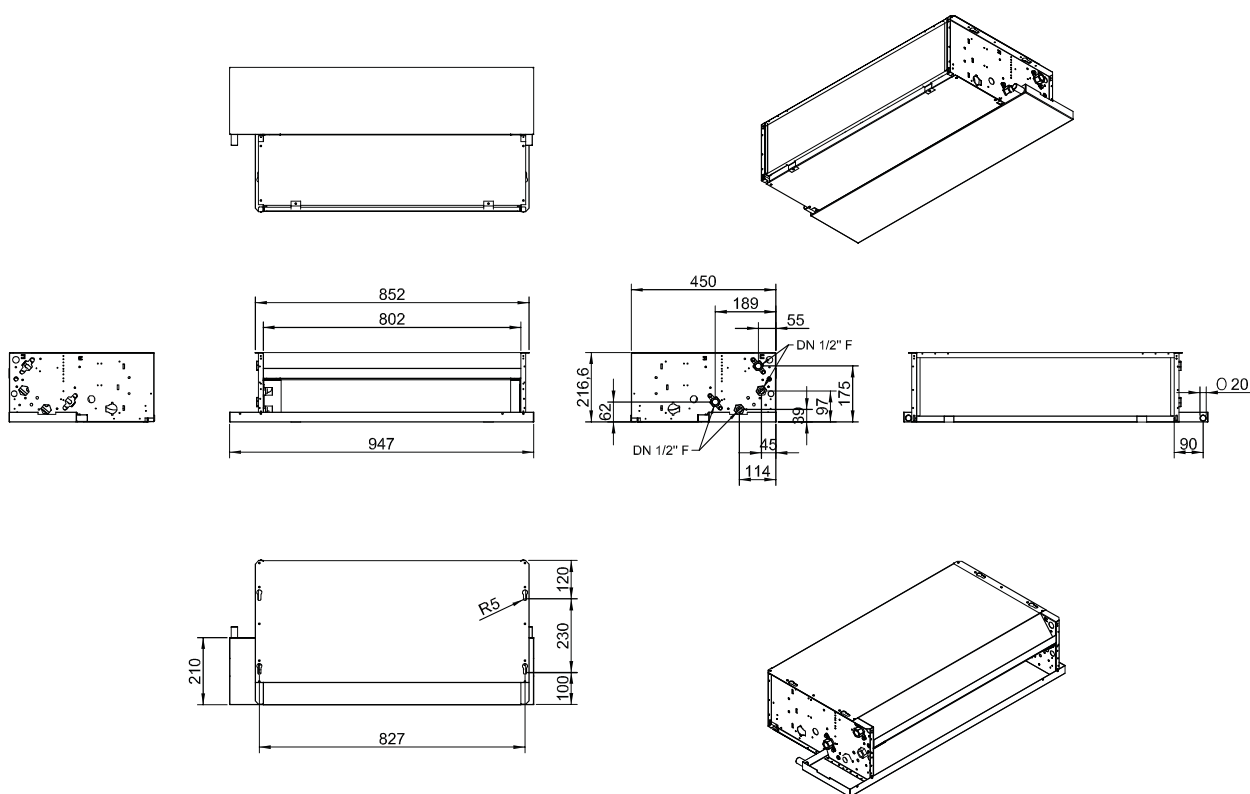
Models FCT-NH 01 and FCT-NH 02



Model FCT-NH 03 and FCT-NH 04

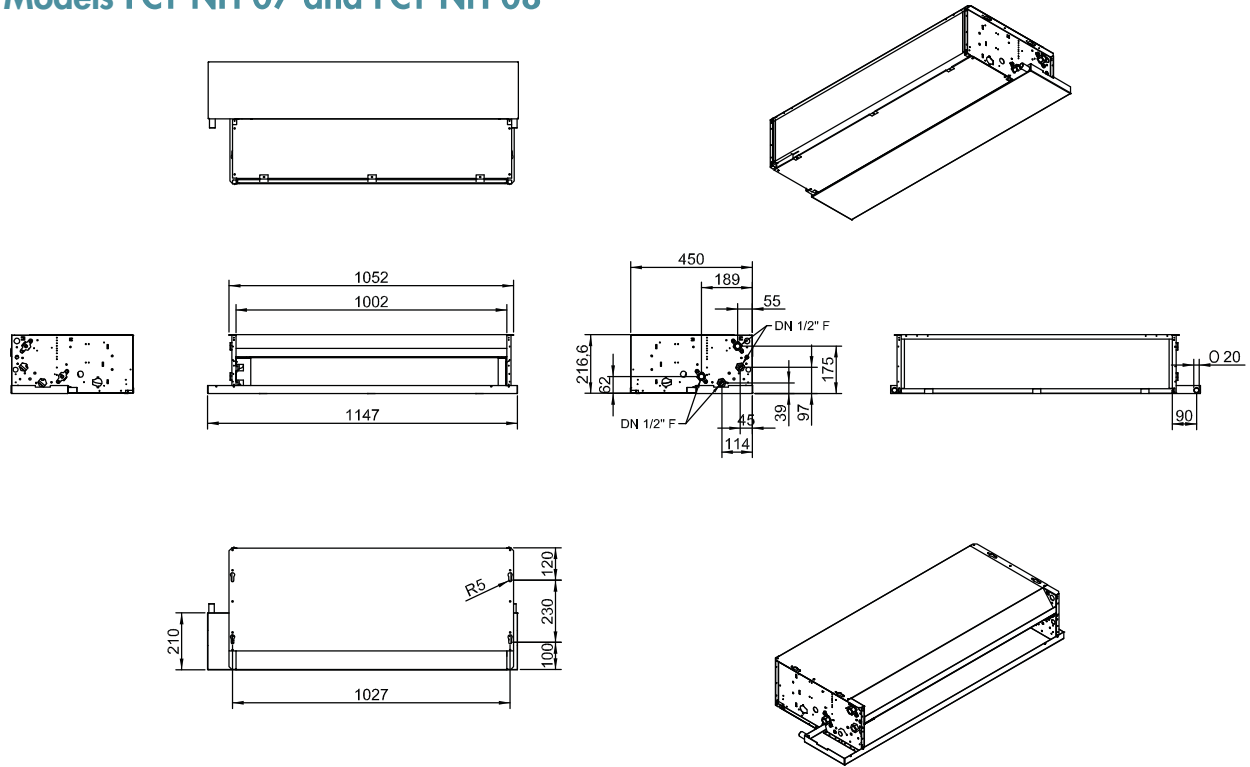


Models FCT-NH 05 and FCT-NH 06



AC floor/ceiling-mounted fan coil units model FCT dimensional drawings

Models FCT-NH 07 and FCT-NH 08



Model FCT-NH 09

